

# Incremental encoders

## Solid shaft ø11 mm with EURO flange B10

### 1...5000 pulses per revolution

OG 8



OG 8

#### Features

- Robust aluminium housing
- Solid shaft ø11 mm
- Optical sensing method
- EURO flange B10
- Output stage HTL or TTL
- Output stage TTL with regulator UB 9...26 VDC

#### Technical data - electrical ratings

|                       |                                   |
|-----------------------|-----------------------------------|
| Voltage supply        | 9...26 VDC<br>5 VDC ±5 %          |
| Consumption w/o load  | ≤100 mA                           |
| Pulses per revolution | 1...5000                          |
| Phase shift           | 90° ±20°                          |
| Scan ratio            | 40...60 %                         |
| Reference signal      | Zero pulse, width 90°             |
| Sensing method        | Optical                           |
| Output frequency      | ≤120 kHz<br>≤300 kHz (on request) |
| Output signals        | K1, K2, K0 + inverted             |
| Output stages         | HTL<br>TTL/RS422                  |
| Interference immunity | EN 61000-6-2                      |
| Emitted interference  | EN 61000-6-3                      |
| Approvals             | CE, UL approval / E256710         |

#### Technical data - mechanical design

|                         |  |
|-------------------------|--|
| Size (flange)           | ø85 mm   |
| Shaft type              | ø11 mm solid shaft   |
| Shaft loading           | ≤50 N axial<br>≤60 N radial  |
| Flange                  | EURO flange B10  |
| Protection DIN EN 60529 | IP 54  |
| Operating speed         | ≤12000 rpm (mechanical)  |
| Operating torque typ.   | 1 Ncm  |
| Rotor moment of inertia | 18 gcm <sup>2</sup>  |
| Materials               | Housing: aluminium die-cast<br>Shaft: stainless steel                              |
| Operating temperature   | -30...+85 °C<br>-25...+85 °C (>3072 pulses per revolution)                         |
| Resistance              | IEC 60068-2-6<br>Vibration 10 g, 10-2000 Hz<br>IEC 60068-2-27<br>Shock 100 g, 6 ms |
| Connection              | Connecting terminal  |
| Weight approx.          | 700 g  |



# Incremental encoders

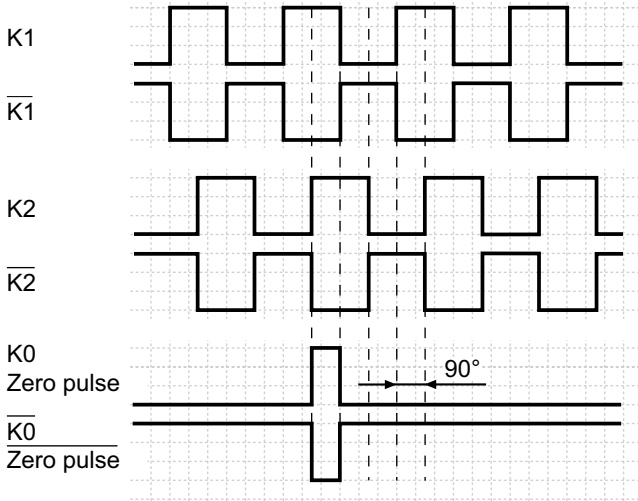
Solid shaft  $\varnothing 11$  mm with EURO flange B10

1...5000 pulses per revolution

OG 8

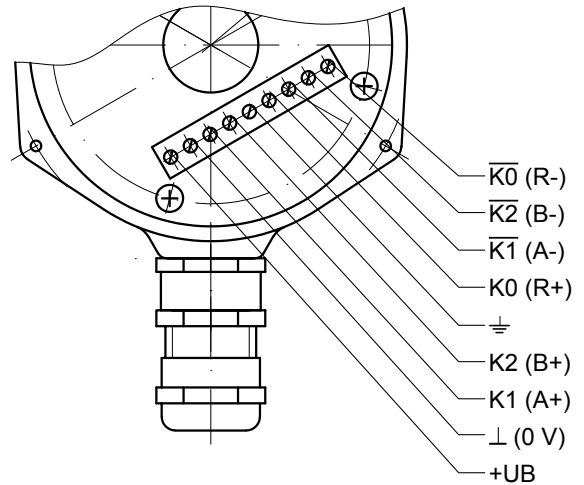
## Output signals

At positive rotating direction

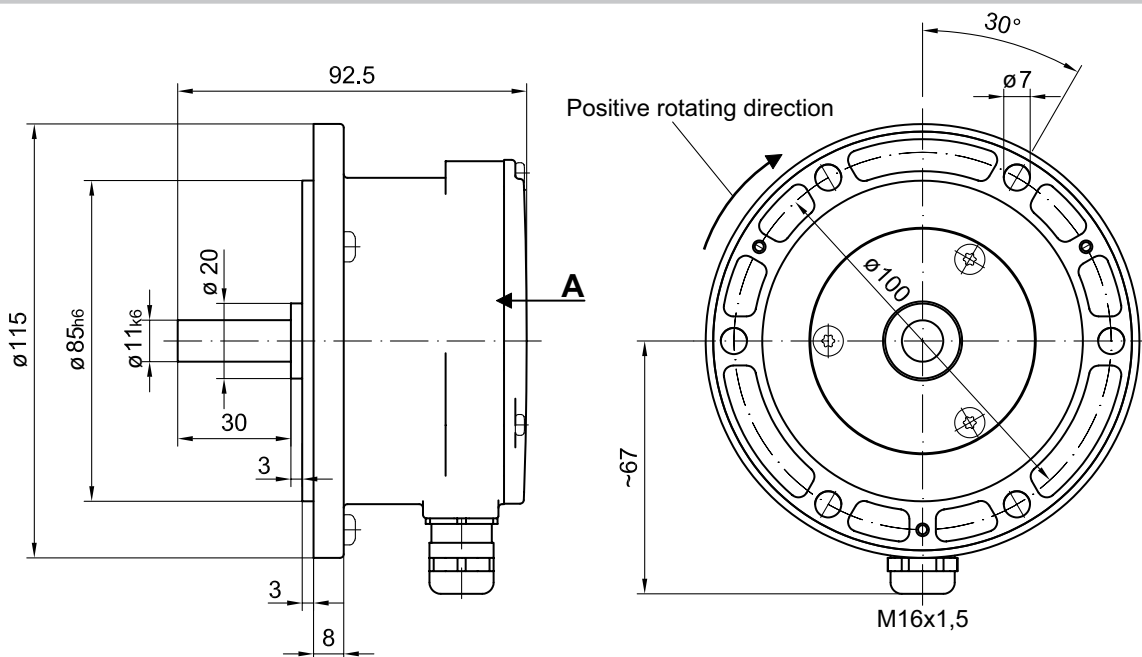


## Terminal assignment

View A - Connecting terminal



## Dimensions



**Incremental encoders**  
**Solid shaft  $\varnothing$ 11 mm with EURO flange B10**  
**1...5000 pulses per revolution**

**OG 8**

---