

# Accessories

## Mounting accessories

### Spring washer K 35, shaft $\varnothing 6...12$ mm



#### Part number

K 35 Spring washer coupling  
for solid shaft  $\varnothing 6...12$  mm

#### Suitable for

Encoders with solid shaft  $\varnothing 6...12$  mm

#### Features

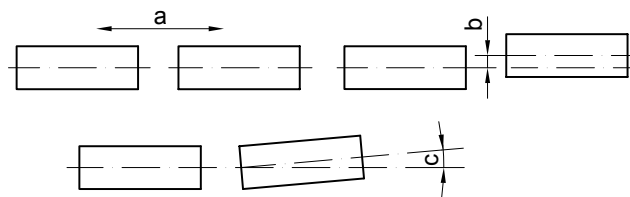
- High quality torsionally stiff and backlash free coupling
- Compensating of mounting errors
- Balanced torsional rigidity (torsional spring constant)
- Protection against shaft currents with an insulated hub on non-drive end ( $\varnothing 11$  H7)
- Additional key possible

#### Description

Spring washer coupling, which combines the necessary torsional stiffness with the ability to compensate for axial displacement which occurs especially through heat expansion of the drive and the play backlash of the ball bearings.

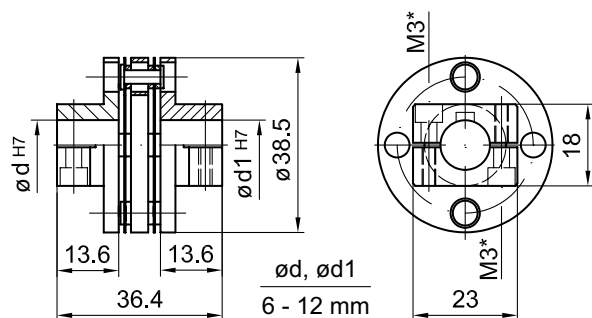
#### Technical data

For shaft	$\varnothing 6...12$ mm
Starting torque	2 Nm
Maximum torque	3 Nm
Operating speed	$\leq 15000$ rpm
Admissible axial movement (a)	$\pm 0,7$ mm ( $\pm 0,3$ mm*)
Admissible parallel misalignment (b)	$\pm 0,2$ mm ( $\pm 0,05$ mm*)
Admissible angular error (c)	$\pm 1^\circ$
Torsional rigidity	900 Nm/rad
Moment of inertia	$89 \cdot 10^{-3}$ kgcm <sup>2</sup>
Material of spring disks	X12 CrNi 17 7
Weight approx.	50 g



\* Insulated hub version

#### Dimensions



\* Max. tightening torque:  
 $M_t = 100$  Ncm (plastic side)  
 $M_t = 2-3$  Nm (metal side)