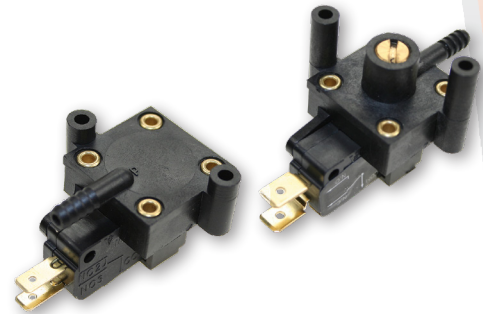


# HPS-600-V Vacuum Switch







Technology Ltd

- Vacuum switching to very high sensitivity
- Factory set or adjustable actuation setpoint
- Optional Gold contacts for optimum performance on lower voltage/current applications
- Miniature size - ideal for OEM applications
- Large choice of form factors for maximum installation flexibility
- Long life with high reliability
- UL approved



## General Specifications

|   |   |
|---|---|
| Actuation pressure / Setpoint tolerance | See detailed information below  |
| Switch type                             | Single pole, double throw   |
| Contact voltage                         | Standard 125/250 VAC / Gold contact option 125 VAC  |
| Current rating                          | 3A, 5A, 10A or 15A depending on switch range / Gold Contact option 0.1A<br>(Note: Range A is 3A, B is 5A, C is 10A and D is 15A as standard)      |
| Contact resistance                      | 1Ω max.   |
| Proof pressure                          | See detailed information below  |
| Material                                | Thermoplastic case, Urethane diaphragm  |
| Mechanical life                         | 10 x 10 <sup>6</sup> cycles   |
| Temperature range                       | +4°C to +65°C, Some setpoint deviation may occur throughout the temperature range.<br>For increased temperature range of -40 to +96 °C contact us |
| Approval                                | UL508 approved. File number NKPZ8.E41523  |

| Model Part Number          | Form Factor (see drawings)  | Pressure range                      | Setpoint tolerance | Proof Pressure       |
|----------------------------|---|-------------------------------------|--------------------|----------------------|
| HPS-600-V RANGE - A        | <br>Form 1 | 5 to 20 mbar [ 2" to 8" H2O ]       | ± 20%              | 1.0 bar [ 14.7 PSI ] |
| HPS-600-V RANGE - B        |   | 20 to 37 mbar [ 8" to 15" H2O ]     | ± 20%              | 1.0 bar [ 14.7 PSI ] |
| HPS-600-V RANGE - C        |   | 37 to 189 mbar [ 15" to 76" H2O ]   | ± 20%              | 1.0 bar [ 14.7 PSI ] |
| HPS-600-V RANGE - D        |   | 189 to 964 mbar [ 76" to 387" H2O ] | ± 20%              | 1.0 bar [ 14.7 PSI ] |
| HPS-601-V RANGE - A        | <br>Form 2 | 5 to 20 mbar [ 2" to 8" H2O ]       | ± 20%              | 1.0 bar [ 14.7 PSI ] |
| HPS-601-V RANGE - B        |   | 20 to 37 mbar [ 8" to 15" H2O ]     | ± 20%              | 1.0 bar [ 14.7 PSI ] |
| HPS-601-V RANGE - C        |   | 37 to 189 mbar [ 15" to 76" H2O ]   | ± 20%              | 1.0 bar [ 14.7 PSI ] |
| HPS-601-V RANGE - D        |   | 189 to 964 mbar [ 76" to 387" H2O ] | ± 20%              | 1.0 bar [ 14.7 PSI ] |
| HPS-600-V RANGE - A - GOLD | <br>Form 3 | 5 to 20 mbar [ 2" to 8" H2O ]       | ± 20%              | 1.0 bar [ 14.7 PSI ] |
| HPS-600-V RANGE - B - GOLD |   | 20 to 37 mbar [ 8" to 15" H2O ]     | ± 20%              | 1.0 bar [ 14.7 PSI ] |
| HPS-600-V RANGE - C - GOLD |   | 37 to 189 mbar [ 15" to 76" H2O ]   | ± 20%              | 1.0 bar [ 14.7 PSI ] |
| HPS-600-V RANGE - D - GOLD |   | 189 to 964 mbar [ 76" to 387" H2O ] | ± 20%              | 1.0 bar [ 14.7 PSI ] |
| HPS-601-V RANGE - A - GOLD | <br>Form 4 | 5 to 20 mbar [ 2" to 8" H2O ]       | ± 20%              | 1.0 bar [ 14.7 PSI ] |
| HPS-601-V RANGE - B - GOLD |   | 20 to 37 mbar [ 8" to 15" H2O ]     | ± 20%              | 1.0 bar [ 14.7 PSI ] |
| HPS-601-V RANGE - C - GOLD |   | 37 to 189 mbar [ 15" to 76" H2O ]   | ± 20%              | 1.0 bar [ 14.7 PSI ] |
| HPS-601-V RANGE - D - GOLD |   | 189 to 964 mbar [ 76" to 387" H2O ] | ± 20%              | 1.0 bar [ 14.7 PSI ] |

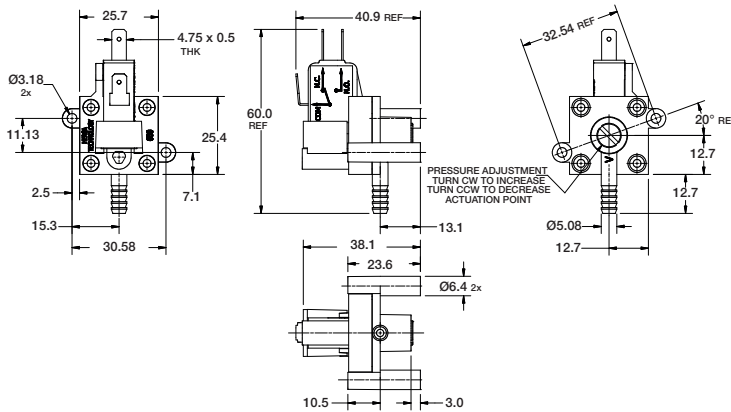
# HPS-600-V Vacuum Switch



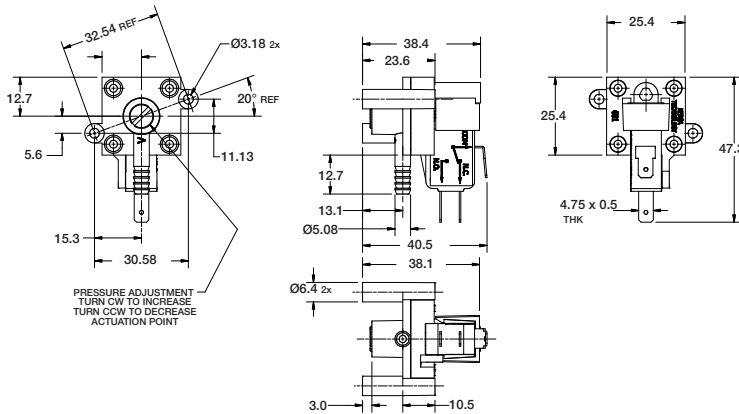
Technology Ltd

## Reference Dimensions (mm)

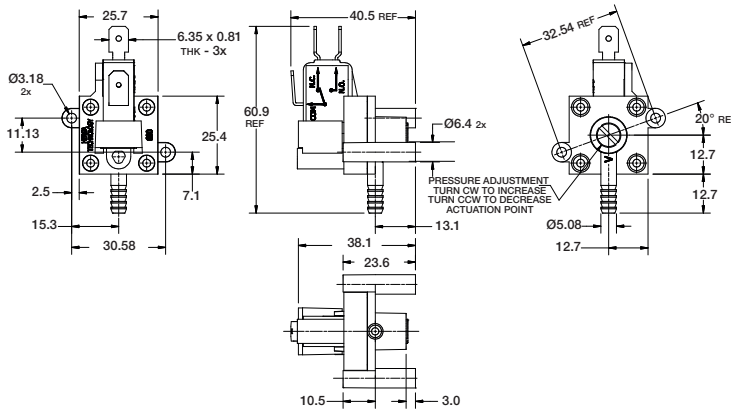
Form 1 -  
HPS-600 - V



Form 2  
HPS-601 - V



Form 3 -  
HPS-600 - V - GOLD



Form 4 -  
HPS-601 - V - GOLD

